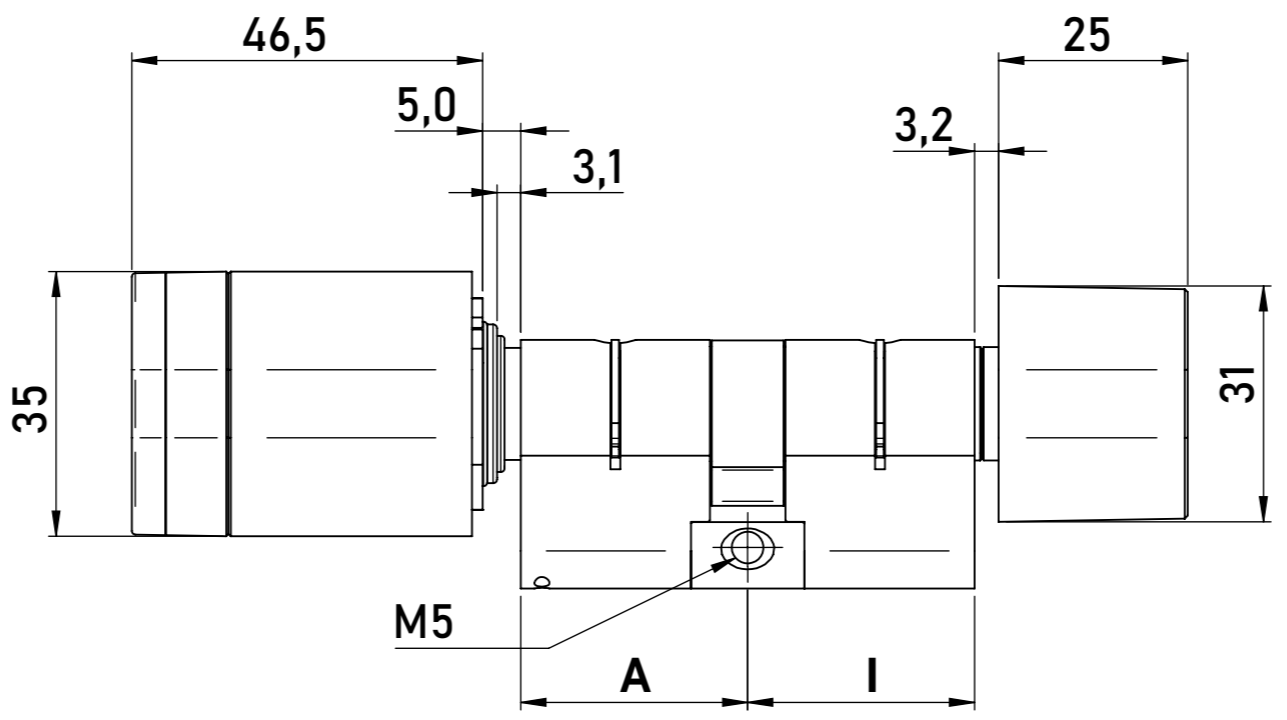
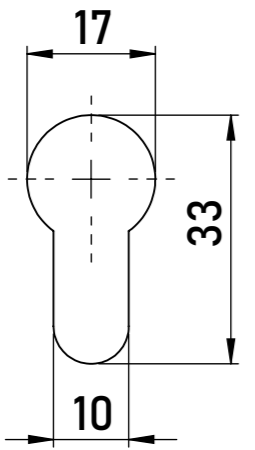
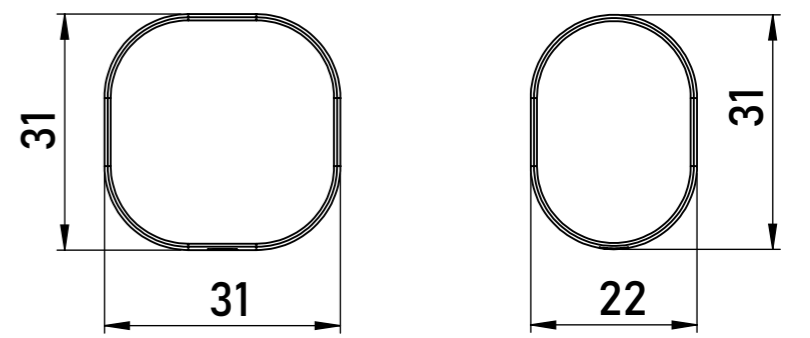
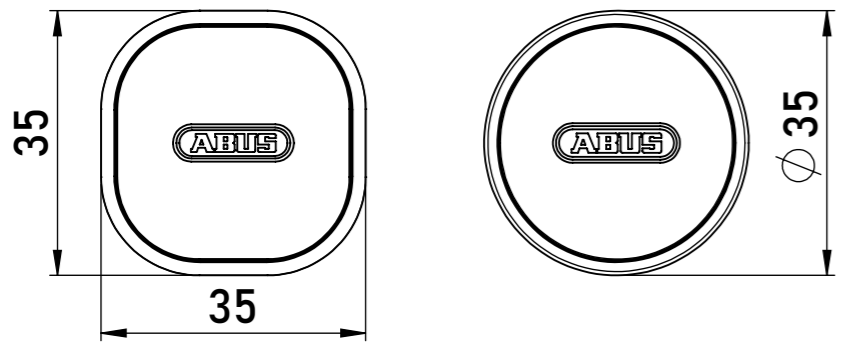
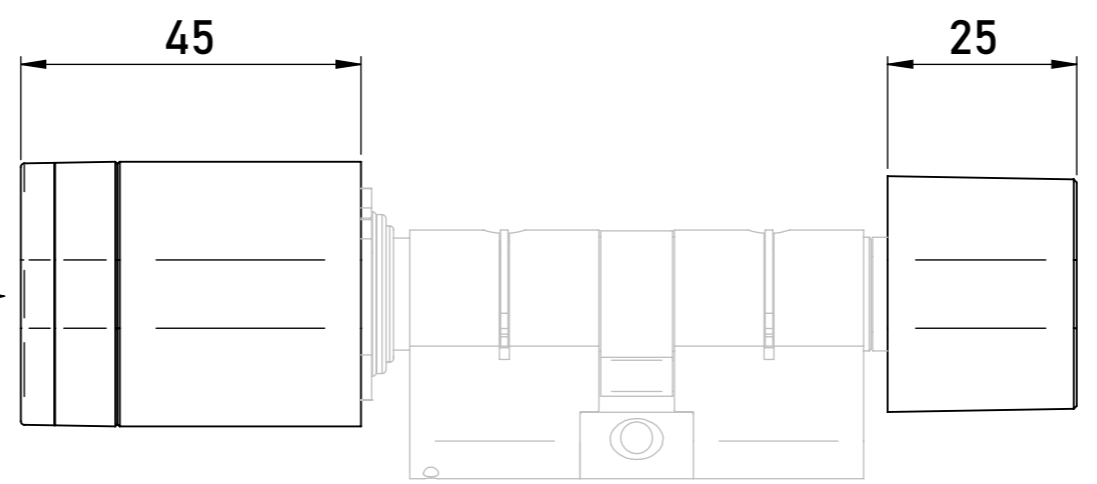


Strictly confidential.
 These documents are property of ABUS Security-Center GmbH & Co. KG.
 Any unauthorized disclosure is prohibited.



A
30 mm
35 mm
40 mm
...
(jew. +5 mm)
...
90 mm

I
30 mm
35 mm
40 mm
...
(jew. +5 mm)
...
90 mm



Tolerance: ISO 2768 -m-K	Created by: HOK	Checked by: HOK	Material:	Weight (g):
		Drawing Number: TEC-Z-LA-	Document status: approved	SCALE: 1:1
		Description, Subdescription: TECTIQ Doppelknäufzylinder Leser außen	Document Type: assembly	Sheet: 1/1
		Rev.: B	Released date: 29.10.2024	