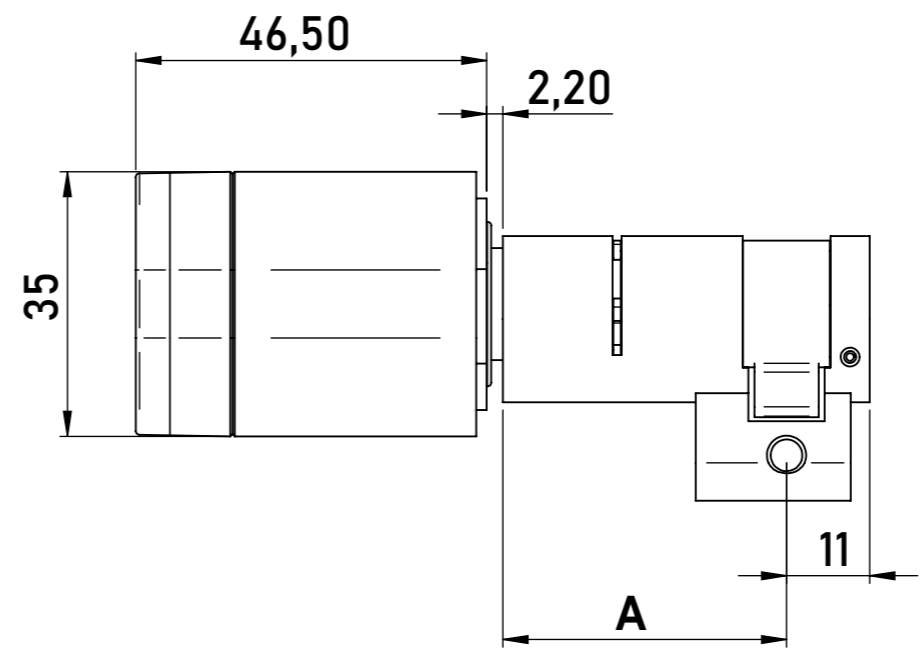
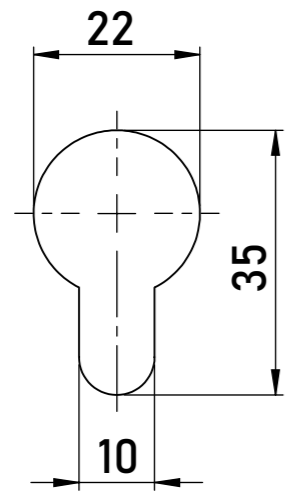
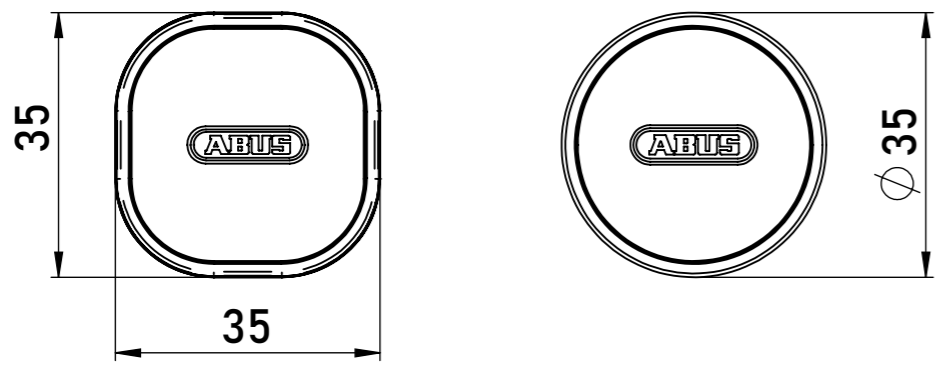
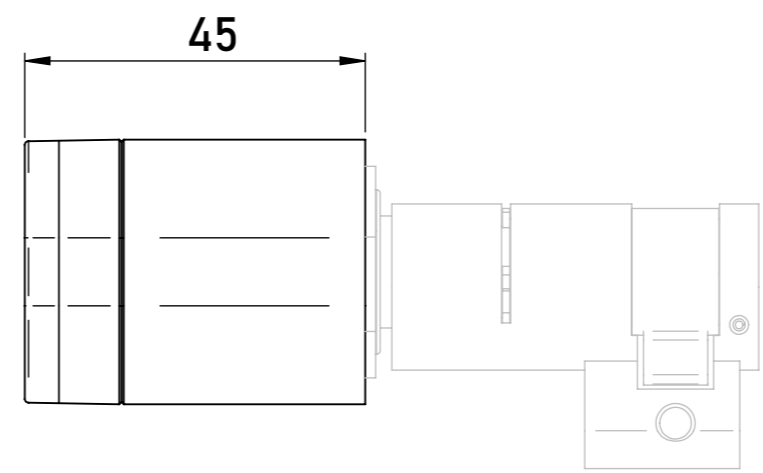



Strictly confidential.
 These documents are property of ABUS Security-Center GmbH & Co. KG.
 Any unauthorized disclosure is prohibited.



A
32,5 mm
37,5 mm
42,5 mm
47,5 mm
52,5 mm



Tolerance: ISO 2768 -m-K	Created by: HOK	Checked by: HOK	Material:	Weight (g):
 ABUS Security-Center GmbH & Co. KG Linker Kreuthweg 5 86444 Affing Security Tech Germany		Drawing Number: TEC-Z-CH-HZ	Document status: approved	SCALE: 1:1
		Description, Subdescription: TECTIQ Halbzylinder Rundprofil Schweiz	Document Type: assembly	Rev.: C
		Released date: 06.11.2024	Sheet: 1/1	