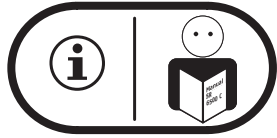


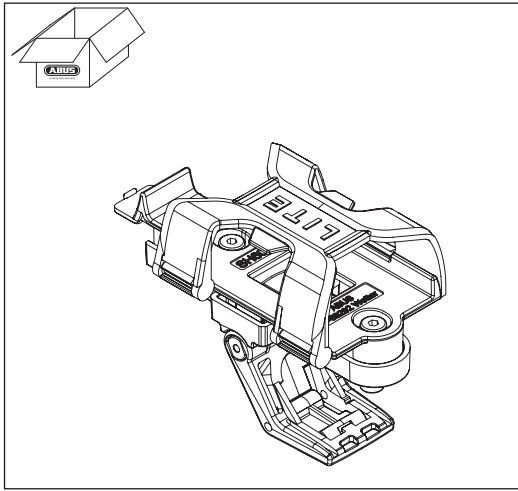


Security Tech Germany X

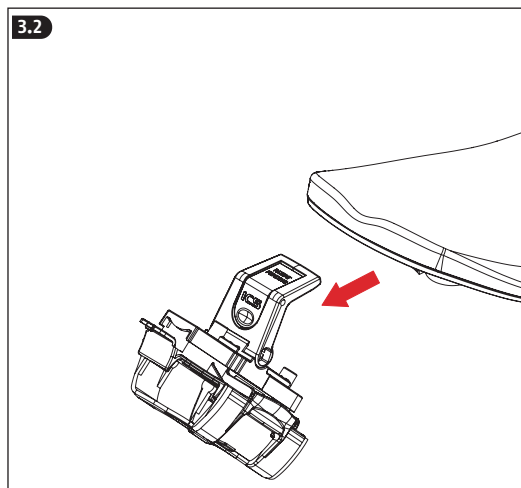
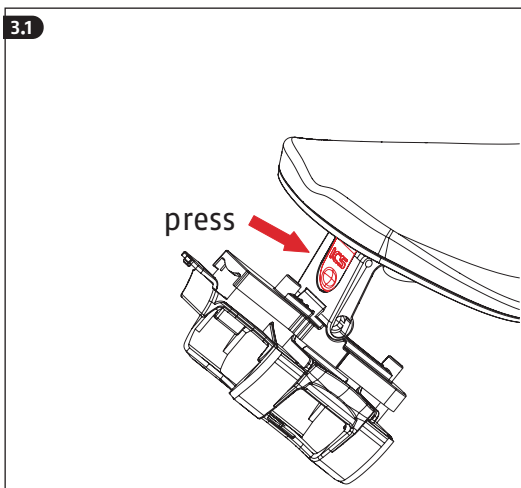
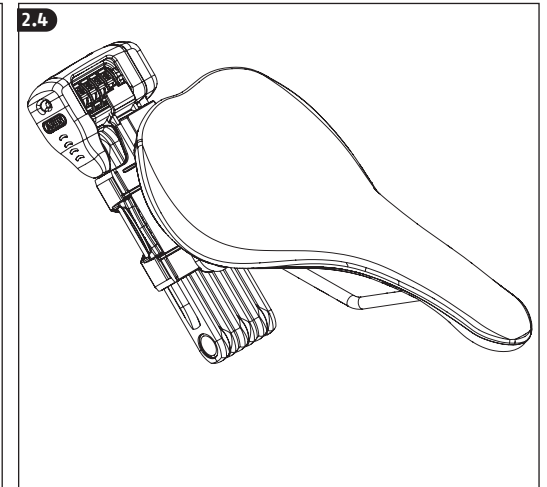
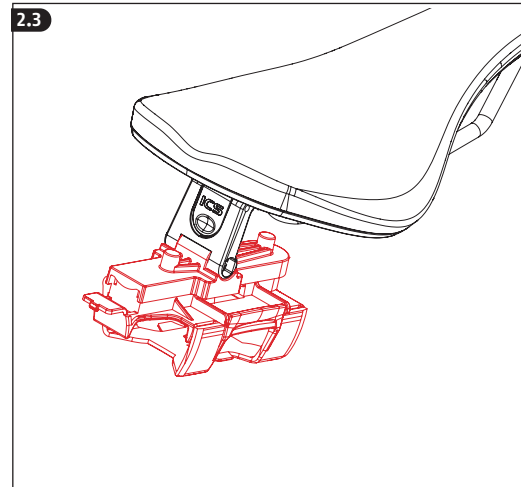
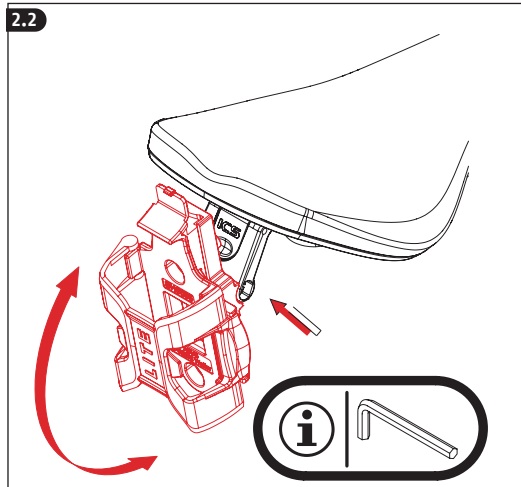
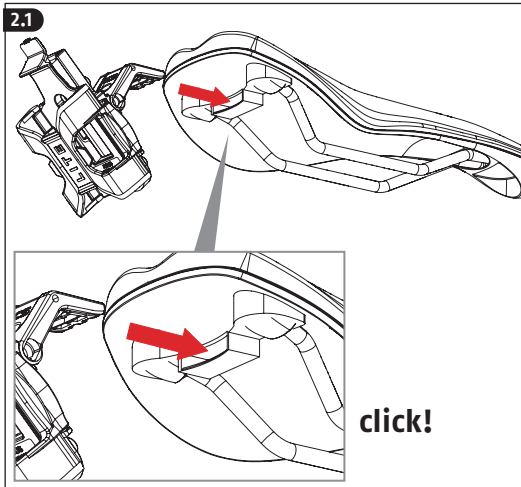
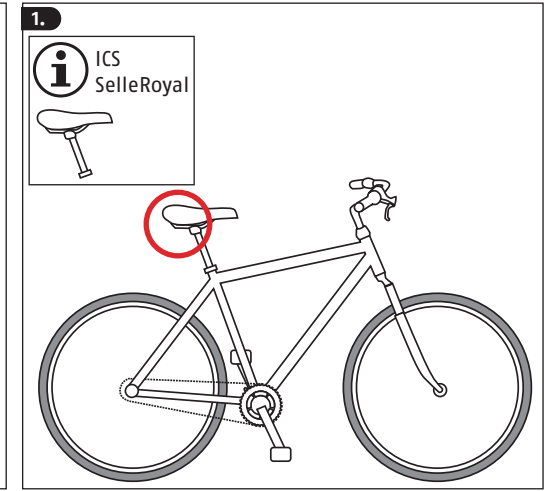
SR 6055 K



© ABUS 2021
ABUS August Bremicker Söhne KG
D 58292 Wetter | Germany
Tel.: +49 (0) 23 35 63 40
www.abus.com | info@abus.de



- Ⓓ 1 Montageposition, 2.1-2.4 Montage, 3.1-3.2 Demontage
- Ⓖ 1 Mounting position, 2.1-2.4 Mounting, 3.1-3.2 Dismantling
- Ⓕ 1 Position de montage, 2.1-2.4 Montage, 3.1-3.2 Démontage
- Ⓝ 1 Montagepositie, 2.1-2.4 Montage, 3.1-3.2 Demontage
- Ⓜ 1 Posizione di montaggio, 2.1-2.4 Montaggio, 3.1-3.2 Smontaggio
- Ⓔ 1 Posición de montaje, 2.1-2.4 Montaje, 3.1-3.2 Desmontaje
- Ⓙ 1 Monteringsposition, 2.1-2.4 Montering, 3.1-3.2 Demonering



- Ⓓ Hinweis zur Montage / Bedienung.
- Ⓖ Further fitting / using details.
- Ⓕ Instructions de montage / utilisation.
- Ⓝ Instructies voor de montage /bediening.
- Ⓜ Note per l'installazione / uso.
- Ⓔ Instrucciones de montaje / funcionamiento.
- Ⓙ Bemærkning om montering / betjening.



© ABUS 2021 | ABUS August Bremicker Söhne KG | D 58292 Wetter | Germany.
Tel.: +49 (0) 23 35 63 40 | www.abus.com | info@abus.de