



Areas of Application

Universal lockout device for locking out multi pole circuit breakers.

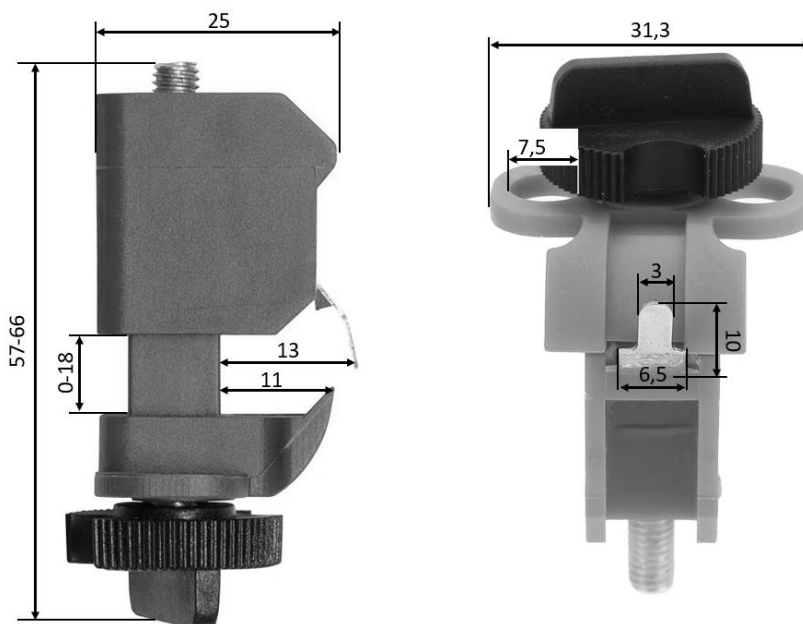
Details

- Intuitive design for self-explanatory application
 - Holds up to 2 padlocks
-

Material

- Body: PA66
 - Screw & other parts: Stainless steel
-

Dimensions (mm)



Temperature Range

- -30°C to +105°C (-22°F to +221°F)

Chemical Resistance

All approved chemicals listed are based on the manufacturer's specified chemical resistance chart for plastic material only.

Chemical	Grade
Mineral lubricants	Resistant
Aliphatic hydrocarbons	Resistant
Aromatic hydrocarbons	Resistant
Gasoline	Resistant
Weak mineral acids	Conditionally resistant
Strong mineral acids	Not resistant
Weak organic acids	Conditionally resistant
Strong organic acids	Not resistant
Oxidizing acids	Not resistant
Weak bases	Conditionally resistant
Strong bases	Not resistant
Trichloroethylene	Conditionally resistant
Perchloroethylene	Not resistant
Acetone	Resistant
Alcohols	Resistant
Hot water (hydrolysis resistance)	Conditionally resistant
UV light and weather	Conditionally resistant

Legal Note

ABUS products are sold with the understanding that the buyers will test them in actual use and determine for themselves their adaptability to their intended uses.